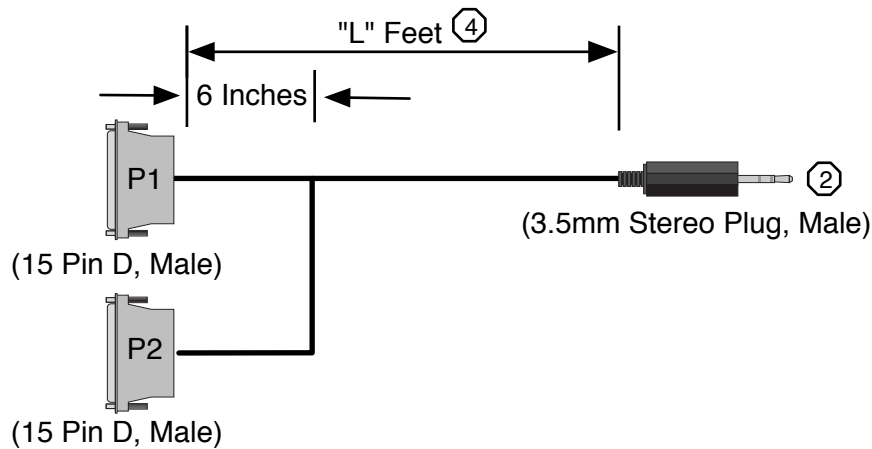


Cable Layout: ⑤



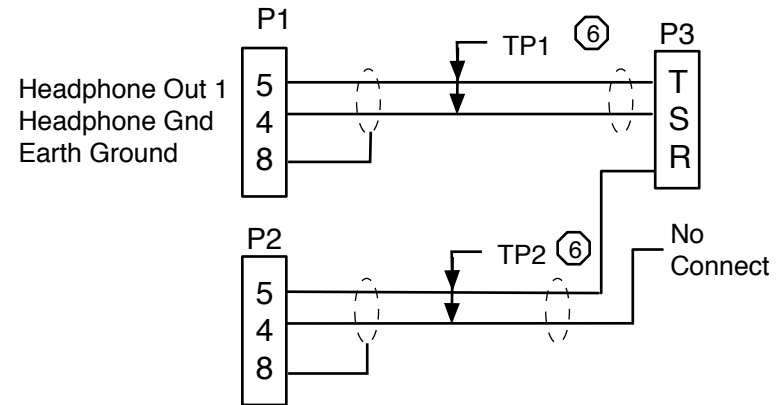
Parts List:

Item	Qty	Reference	P/N	Mfg	Description	Notes
1	1	P1, P2	XXX-XXXX	XXXXXXX	15-pin Male D-shell	1
2	2	P3	25HDNN	Switchcraft	3.5 mm Stereo Plug	2
3	AR	-			Audio Cable	3
4	-	-				
-	-	-				

Notes:


- ① Use high quality supplier such as AMP or equivalent.
- ② Use Switchcraft P/N 25HDNN or equivalent
- ③ Use low capacitance, shielded, twisted pair, high flex audio cable.
- ④ Cable length "L" defined by length field of part number ordered. Length applies to both cable legs

Wiring Information: ⑤



- ⑤ Wiring and cable layout as shown.
- ⑥ Individually shielded twisted pair configuration as shown.

Rev	Date	Originator	Description
-	7-5-04	JPM	original release
02	4-14-09	CJA	added information table, converted to graffle

 ADVANCED SIMULATION TECHNOLOGY inc. 500A Huntmar Park Drive, Herndon, VA 20170 www.asti-usa.com	
Cage Code	OVFW3
Title	Audio Cable, IRIS Audio Out A/B to Stereo
Dwg #	CA-D15M-D15M-L-A_02
Sheet	1 of 1

Industry connector Sub Group	ASTi Part Number Sub Group	Source Device	ASTi Part Number	Current Revision Number	Description & Case Use	Special Notes
DB15	D15*	ACU, ACU2	CA-D15M-D15M-Y-P3M-L-A	02		