

Cable Layout:

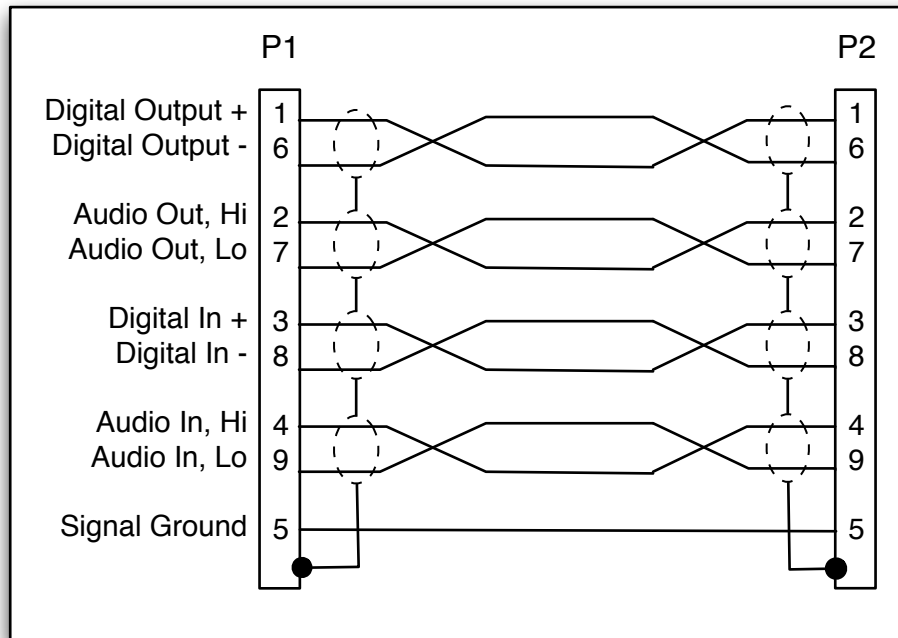
P/N: CA-D9M-D9M-L-A_02



Length Options	
1 Foot	L= 1
5 Feet	L= 5
10 Feet	L= 10
25 Feet	L= 25

Wiring Information:

From	To
P1-1	P2-1
P1-2	P2-2
P1-3	P2-3
P1-4	P2-4
P1-5	P2-5
P1-6	P2-6
P1-7	P2-7
P1-8	P2-8
P1-9	P2-9




Assembly Notes:

- (1) P1 and P2: Use metal male DB-9 connectors for P1 and P2. Connectors to include backshells and male screwlock assemblies.
- (2) Use high quality low, low capacitance individually shielded twisted pairs audio cable.
- (3) Twisted pair configuration as shown.
- (4) Tie and Solder all shields to P1 and P2 connector cases.

Notes:

- (1) This drawing identifies several configurations of RIU to AIU audio interface cable.
- (2) Old Part Number: ACBL-AIU-RIU-Y

Rev	Date	Originator	Description
-	3-20-98	JPM	Original Release
02	4-1-09	CJA	Converted from PDF to Graffle, added information table

		ADVANCED SIMULATION TECHNOLOGY inc. 500A Huntmar Park Drive, Herndon, VA 20170 www.asti-usa.com
Cage Code	OVFW3	
Title	Audio Interface Cable - RIU to AIU	
Dwg #	CA-D9M-D9M-L-A_02	
Sheet	1 of 1	

Industry connector Sub Group	ASTi Part Number Sub Group	Source Device	ASTi Part Number	Current Revision Number	Description & Case Use	Special Notes
DB9	D9*	RIU, ACE-RIU	CA-D9M-D9M-L-A	02		