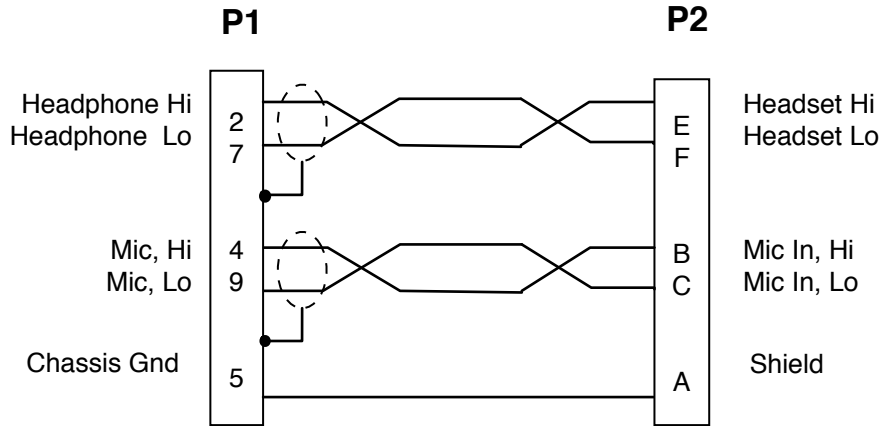
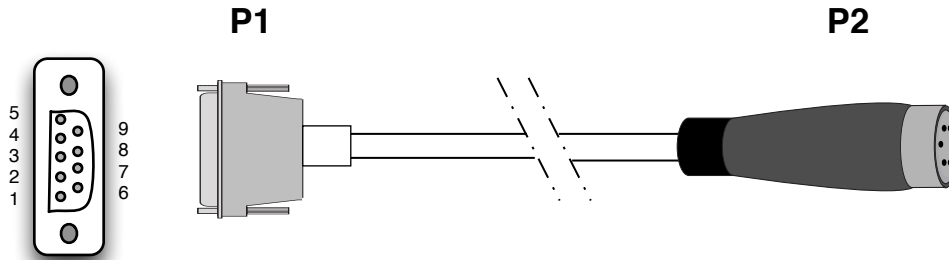


Length in Feet




Pins Not Shown are
Unused

Assembly Notes

- (1) P1: Male, metal, DB-9 connector. Includes metal chrome backshell, and male screwlock assembly.
- (2) P2: Use jam nut receptacle
- ITT P/N: MS34741W10-6S or equivalent
- (3) Cable: high quality, low capacitance, individually shielded, twisted pair, audio cable.
- (4) Apply shrink tubing if necessary to fill P2 cable entry hole
- (5) Cable Length specified by value of L in P/N. Units are in feet.
- (6) Twisted pair configuration as shown

| Rev | Date | Originator | Description |
|-----|----------|------------|-------------------------|
| - | 10-26-00 | DEC | Original Release |
| 02 | 04-03-09 | CJA | Added Information Table |
| | | | |
| | | | |
| | | | |
| | | | |

| | |
|---|--|
|  ADVANCED SIMULATION TECHNOLOGY inc. 441-A Carlisle Drive, Herndon, VA 20170 www.asti-usa.com | |
| Cage Code | OVPW3 |
| Title | Audio Interface Cable, - RIU to Jam Nut Receptacle |
| Dwg # | CA-D9M-S16-L-A_02 |
| Sheet | 1 of 1 |

| Industry connector Sub Group | ASTi Part Number Sub Group | Source Device | ASTi Part Number | Current Revision Number | Description & Case Use | Special Notes |
|------------------------------|----------------------------|---------------|---------------------|-------------------------|------------------------|---------------|
| DB9 | D9* | RIU, ACE-RIU | CA-D9M-S16F-ITT-L-A | 02 | | |