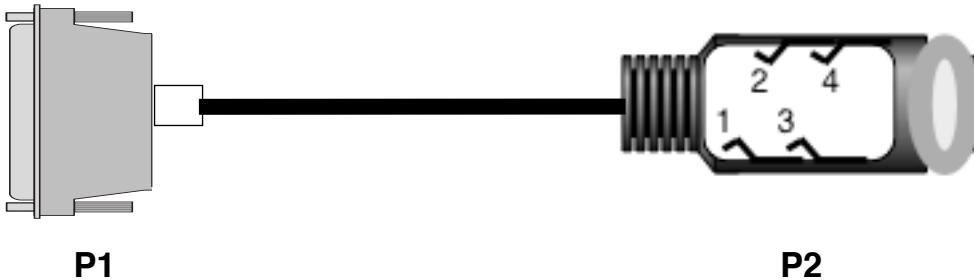


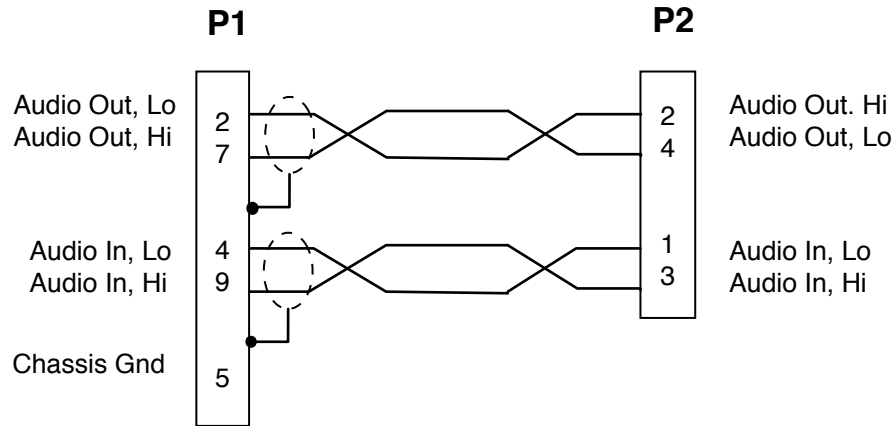
Cable Layout:

CA-D9M-U92F-L-A_02

Length in Feet




Wiring Information:



- Notes:**
- (1) P1: Use male, metal DB-9 connector. Connector to include backshell and male screwlock assembly
 - (2) P2: Use 4 conductor phone Jack - Nexus P/N TJ-102 or equivalent.
 - (3) Use high quality, low capacitance, individually shielded, twisted pair, audio cable.
 - (4) Apply shrink tube if necessary to fill P2 cable entry hole.
 - (5) Cable length specified by value of L in part number. Units are Feet
 - (6) Twisted pair configuration as shown.
 - (7) Tie and solder shield to P2 connector case. Use chemical or abrasion technique to ensure good bonding and conductivity

Rev	Date	Originator	Description
-	09-17-01	DEC	Original Release
A	11-08-01	DEC	Changed part number to include wiring version number, changed wiring for Audio In on U-92A/U
02	04/03/09	CJA	Added Information Table, and converted to graffle

		ADVANCED SIMULATION TECHNOLOGY inc. 500A Huntmar Park Drive, Herndon, VA 20170 www.asti-usa.com
Cage Code	OVFW3	
Title	Audio Interface Cable - RIU to U-92A/U Jack	
Dwg #	CA-D9M-U92F-L-A_02	
Sheet	1 of 1	

Industry connector Sub Group	ASTi Part Number Sub Group	Source Device	ASTi Part Number	Current Revision Number	Description & Case Use	Special Notes
DB9	D9*	RIU, ACE-RIU	CA-D9M-U92F-L-A	02		