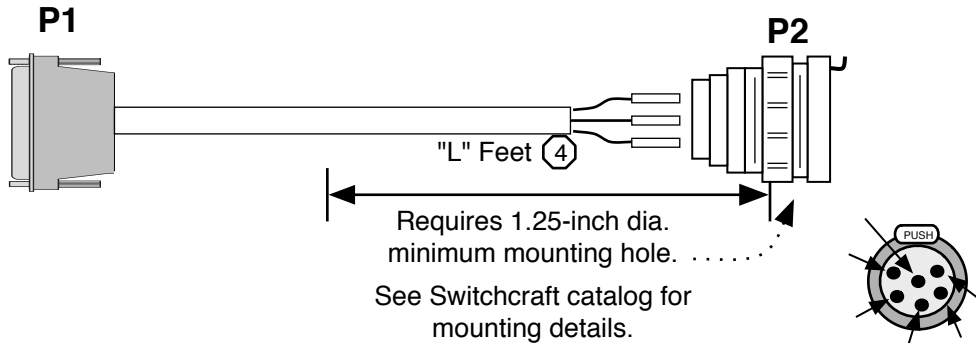
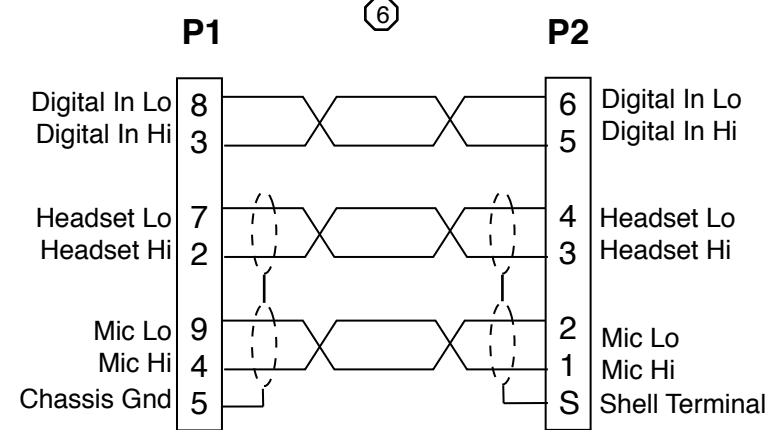


Cable Layout: ⑤



Wiring Information: ⑥




Parts List:

Item	Qty	Reference	P/N	Mfg	Description	Notes
1	1	P1	-	-	9 pin "D" Male, Metal Chrome Backshell Strain Relief, Male screw lock Assy	1
2	1	P2	-	Neutrik	Panel Mount 6 Pin XLR, Female	2
3	AR	-	-	-	Audio Cable	3

NOTES:

- ① Use high quality supplier such as AMP or equivalent.
- ② Use Neutrik P/N NC6FP-B-1 or equivalent. Mating connector is Neutrik.
- ③ Use low capacitance, inimically shielded, twisted pair, high flex audio cable.
- ④ Cable length "L" defined by length field of part number ordered.
- ⑤ Wiring as shown in schematic. Please note additional assembly instructions.
- ⑥ Twisted pair configuration as shown. Connect Headset and Mic Shields to 5 or 9 pin connector as shown. Digital In pair does not require shield termination.

Rev	Date	Originator	Description
-	2-3-02	JPM	Original release
02	4-6-09	CJA	Added information table

 ADVANCED SIMULATION TECHNOLOGY inc. 500A Huntmar Park Drive, Herndon, VA 20170 www.asti-usa.com	
Cage Code	OVPW3
Title	Audio Interface Cable, 9 Pin D, Male to 6 Pin XLR Female, Panel Mount
Dwg #	CA-D9M-X6FP-L-A_02
Sheet	1 of 1

Industry connector Sub Group	ASTi Part Number Sub Group	Source Device	ASTi Part Number	Current Revision Number	Description & Case Use	Special Notes
DB9	D9*	RIU, ACE-RIU	CA-D9M-X6FP-L-A	02		