


Assembly Notes:

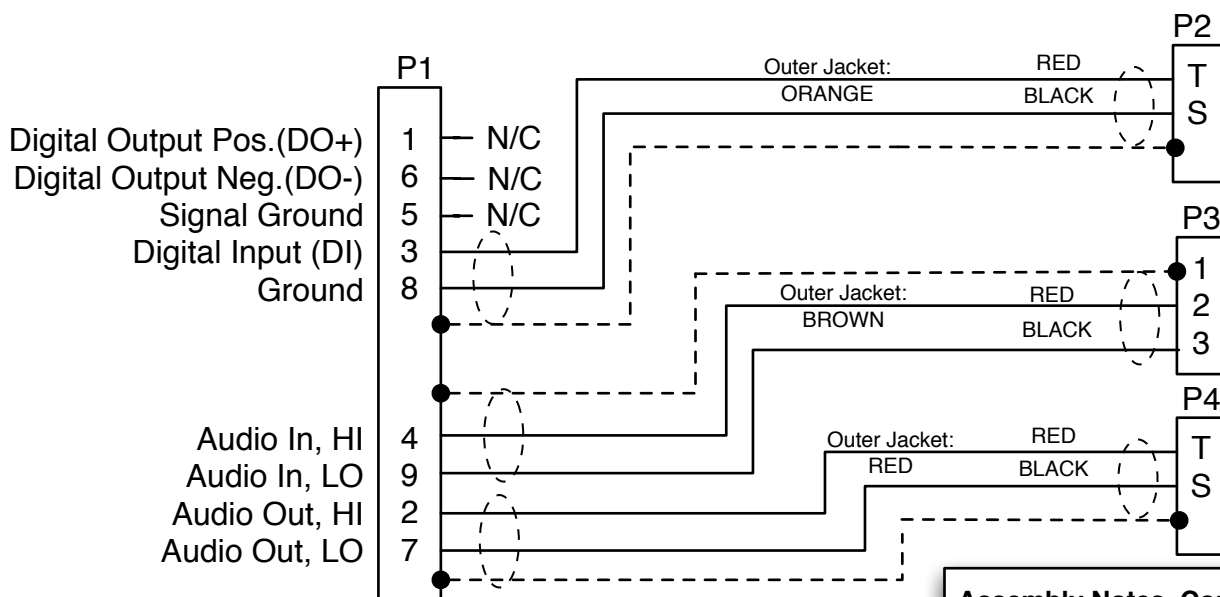
(1) Remove outside jacket at 5-foot length. Apply 1.5" shrink sleeve as shown. Outside drain wire is not connected at both ends

(2) Yellow cable pair is unused. Dress this cable pair under the shrink sleeve

(3) Cable O.D. 0.1"

 ADVANCED SIMULATION TECHNOLOGY inc. 500A Huntmar Park Drive, Herndon, VA 20170 www.asti-usa.com	
Cage Code	OVPW3
Title	Audio Cable - RIU to Footswitch, Speaker and Microphone
Dwg #	CA-D9M-Y-X3F-Q2MR-Q2M-L-A_02
Sheet	1 of 2

Description: P1: DB9 & Metal Backshell P2: 1/4" Phone P4: 1/4" Phone, Rt Angle P3: XLR3 / F Audio Cable Cable Ties	Mfr: Switchcraft Switchcraft Switchcraft Belden Generic	Mfr PN: 280 226 A3FS 1510B Generic PN	Notes: Or Equivalent Or Equivalent Or Equivalent Accepts small cables (0.1 to 0.2 inch OD) Or Equivalent
--	--	--	---



Assembly Notes, Cont.


(4) Solder cable shields to metal body of connector P1

(5) Solder cable shields of individual pairs to metal body of connector P3 & P4

NOTES:

(6) Replaces part number ACBL-FS-SPKR-MIC-Y

Rev	Date	Originator	Description
-			original release
02	4/9/09	CJA	Added information table, converted to graffle

 ADVANCED SIMULATION TECHNOLOGY inc. 500A Huntmar Park Drive, Herndon, VA 20170 www.asti-usa.com	
Cage Code	OVPW3
Title	Audio Cable - RIU to Fostex Speaker & Shure Microphone
Dwg #	CA-D9M-Y-X3F-Q2MR-Q2M-L-A_02
Sheet	2 of 2

Industry connector Sub Group	ASTi Part Number Sub Group	Source Device	ASTi Part Number	Current Revision Number	Description & Case Use	Special Notes
DB9	D9*	RIU, ACE-RIU	CA-D9M-Y-X3F-Q2MR-Q2M-L-A	02		