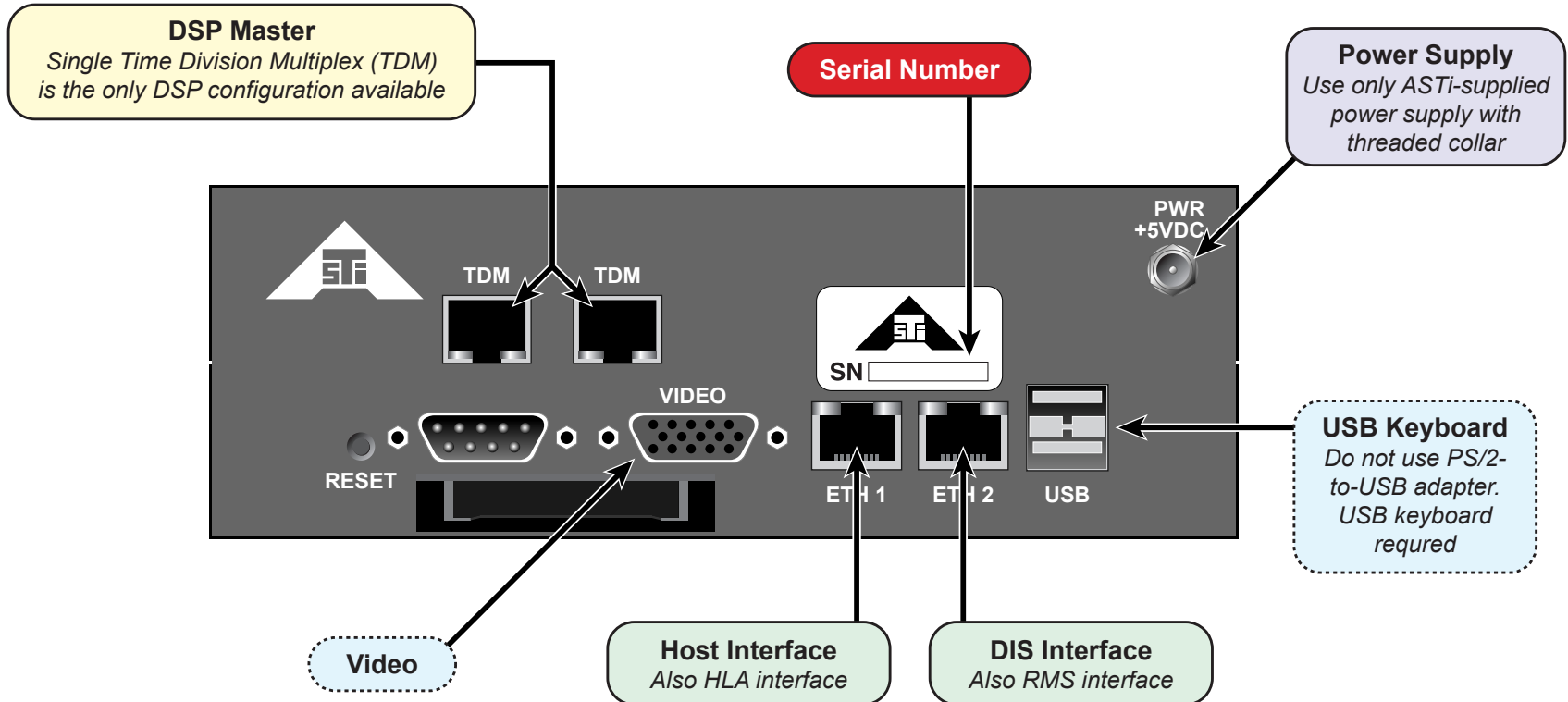
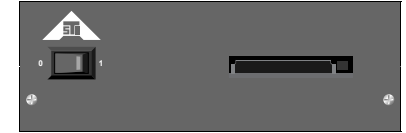


Digital Audio Communications System microDACS Chassis • P/N: ASSY-01-DACS-INMD-1

Keyboard and monitor are not required for system operation.



Cards are static sensitive.
Use proper ESD precautions
when handling equipment.

The chassis and connections shown here are for general representation only. The location(s) of cards and slots may vary. Consult the included engineering drawings for specific card locations and peripheral equipment shipped with your system.

