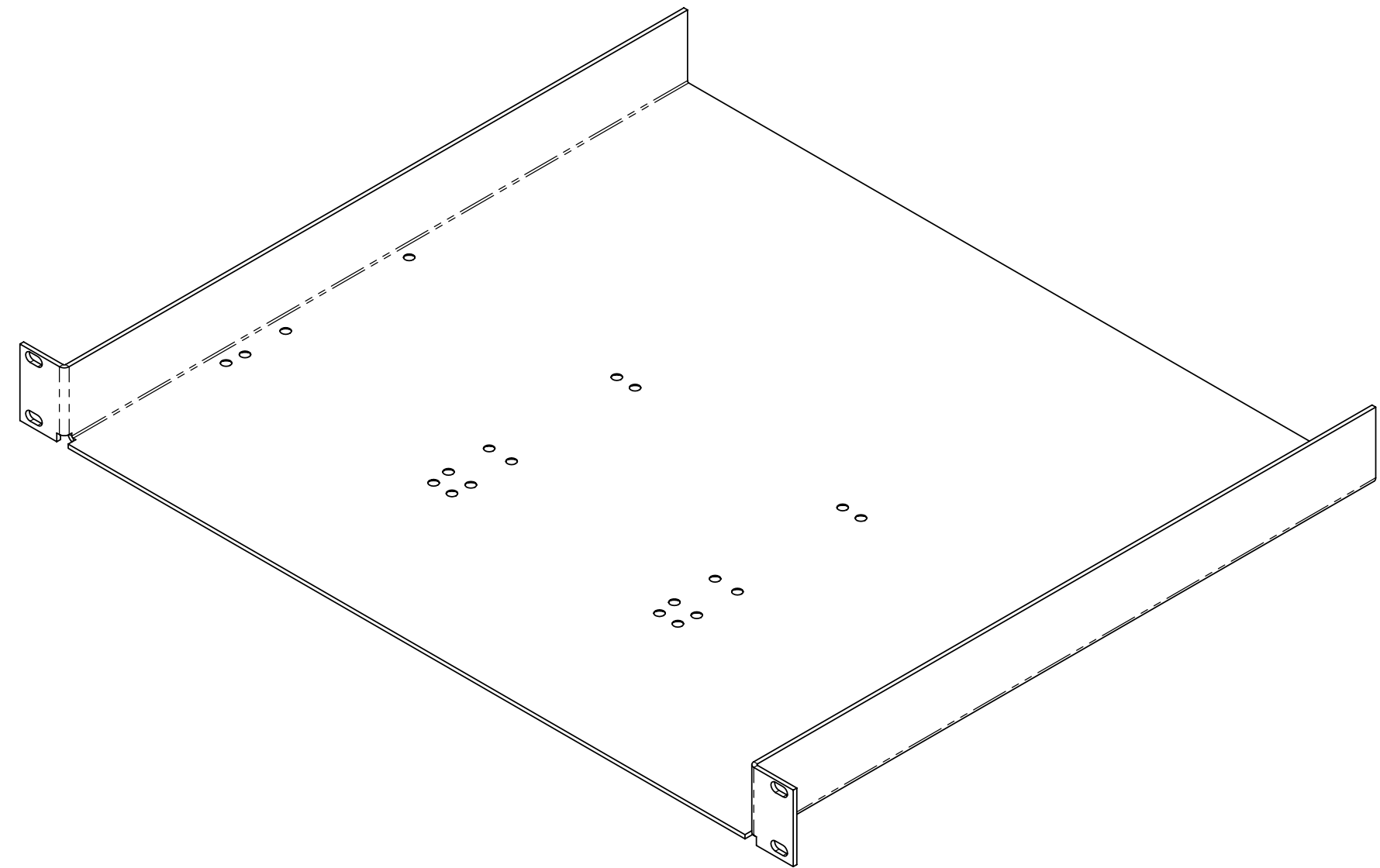


REVISIONS			
REV.	DESCRIPTION	DATE	APPROVED
A	INITIAL RELEASE	01-10-2004	M WEAVER
B	REMOVED ALL WIRE TIE LOOPS REMOVED POWER SUPPLY MOUNTING HOLES ADDED FLATNESS SPEC	02-25-2004	M WEAVER

NOTES:

1. MATERIAL: COLD ROLLED STEEL, .090 THICK
2. BREAK ALL CORNERS AND DEBURR ALL SHARP EDGES.
3. FINISH: PRIME ALL OVER
PAINT ALL OVER USING SHERWIN WILLIAMS POLANE ENAMEL.
COLOR: CARBIDE BLACK
TEXTURE: FINE

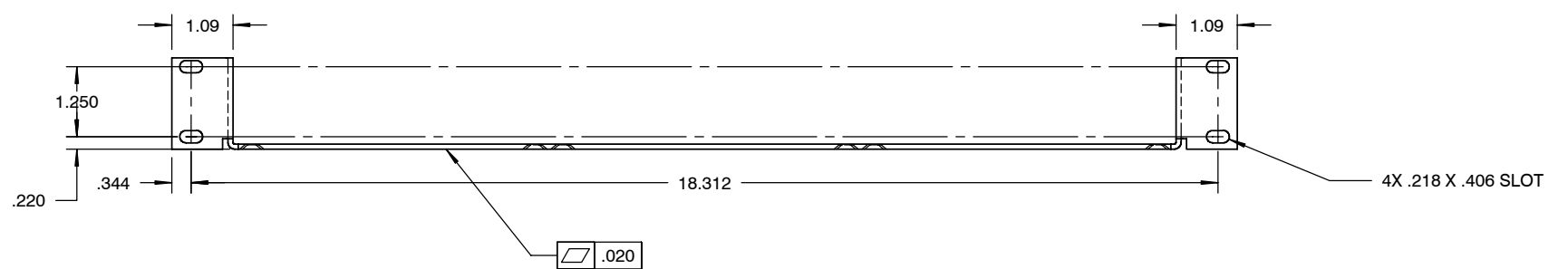
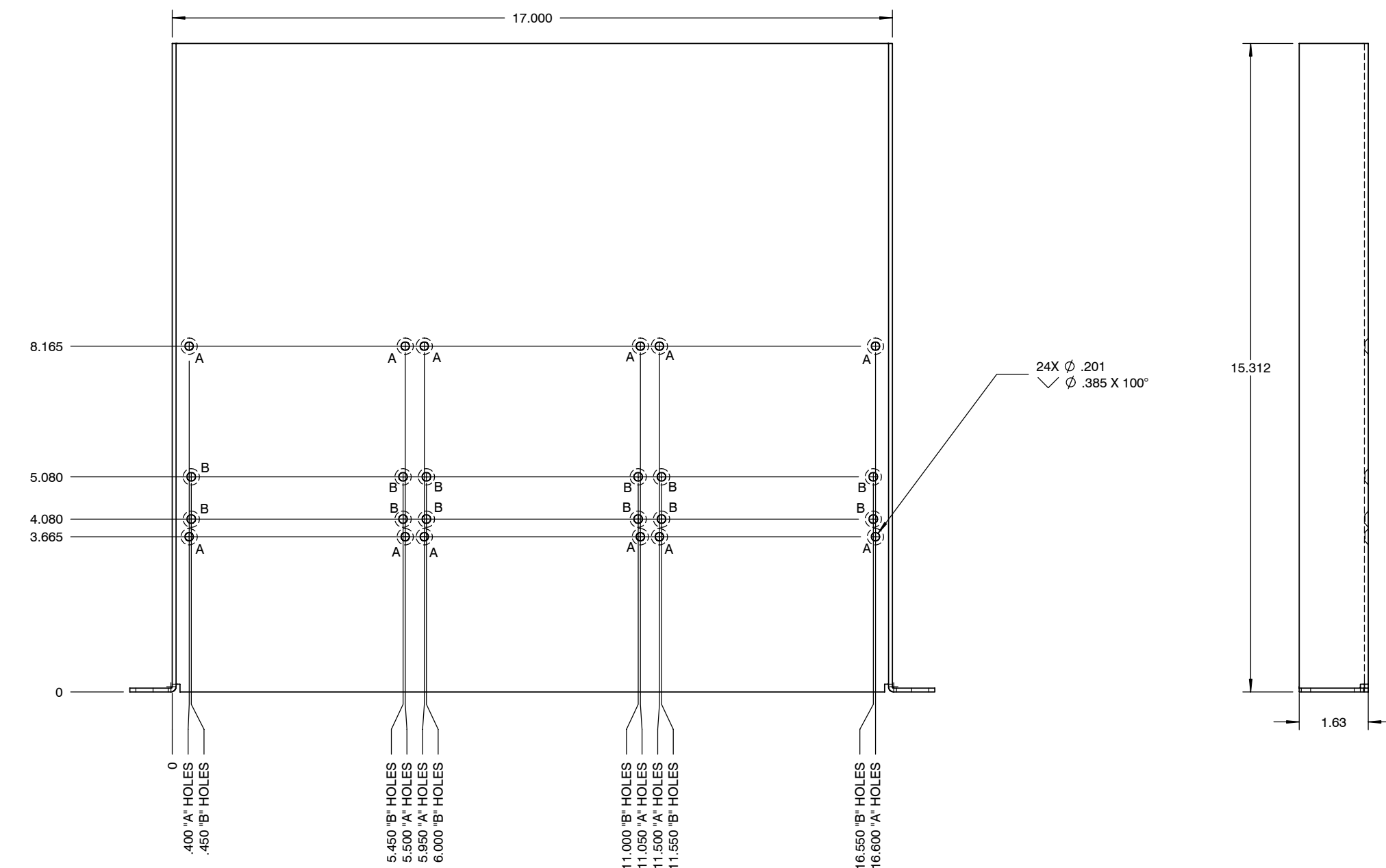


APPROVALS		UNLESS OTHERWISE SPECIFIED TOLERANCES ARE AS FOLLOWS		CAD GENERATED DRAWING DO NOT MANUALLY UPDATE		CONSOLIDATED CUSTOM MANUFACTURING	
DESIGNER:		DIMENSIONS	ANGLES	DRAWN BY	DATE		
DRAWN BY:		.XX = ± .020	±1°	M WEAVER	01-10-2004	SIZE DWG. NO.	
CHECKED BY:		.XXX = ± .005		THIRD ANGLE PROJECTION		B CCM0008	
APPROVED BY:		MATERIAL		DO NOT SCALE DRAWING		SCALE CAD FILE: SHEET 1 OF 2	
APPLICATION		SEE NOTES				REV. B	
NEXT ASSY:		SEE NOTES					

8 7 6 5 4 3 2 1

D
C
B
A

D
C
B
A



**CONSOLIDATED CUSTOM
MANUFACTURING**

SHELF, 1U RACK MOUNT

SIZE	DWG. NO.	REV.
B	CCM0008	B
SCALE	CAD FILE:	SHEET 2 OF 2

8 7 6 5 4 3 2 1